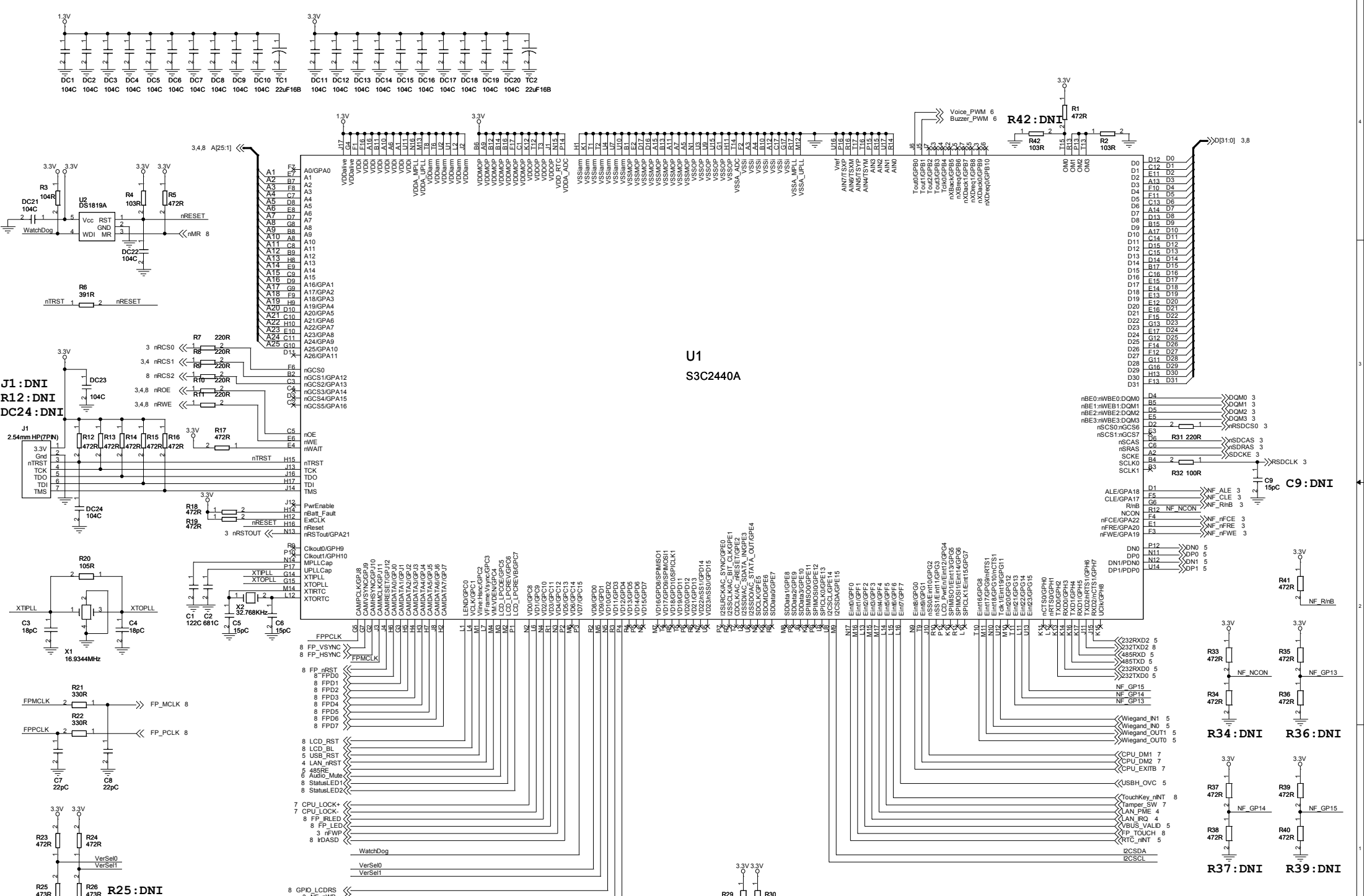


카드검용 지문 단말기

Model Name : AC-5000

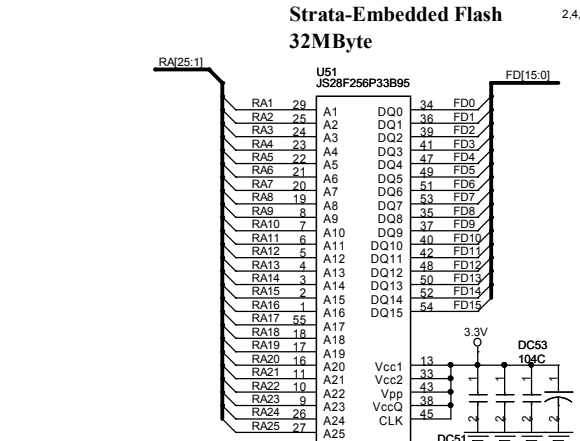
Main Board	: PAC5000MA01	1. Contents
		2. CPU Samsung S3C2440A 400MHz
		3. Flash & SDRAM
		4. 10/100M Ethernet
		5. 485/232/Wiegand/RTC/USB(Device)
		6. Audio/Buzzer
		7. System Power(5V, 3.3V, 1.3V)
		8. Key Interface/TFT LCD/FP Interface
Key Board	: PAC5000KP01	9. Touch Key/BackLight/IrDA Interface
Power Board	: PAC5000PW01	10. Power
		11. PoE
LCD Board	: PAC5000LI01	12. LCD Interface/Status LED
RF Reader Board	: PAC5000RF01	15. RF/HID Card Reader

Title		
AC5000 Cover/Contents		
Size	Document Number	Rev
A4	AC5000 Series	12
Date:	Thursday, March 31, 2011	Sheet 1 of 16

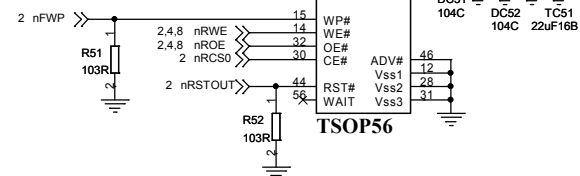


Title			
AC5000 CPU			
Size	Document Number	Rev	
Custom	PAC5000MA01	12	
Date:	Tuesday, March 29, 2011	Sheet	2 of 16

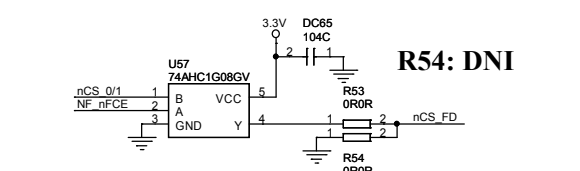
**Strata-Embedded Flash
32MByte**



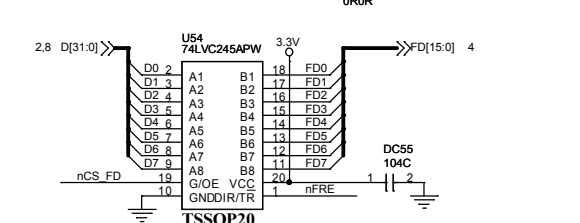
TSOP56



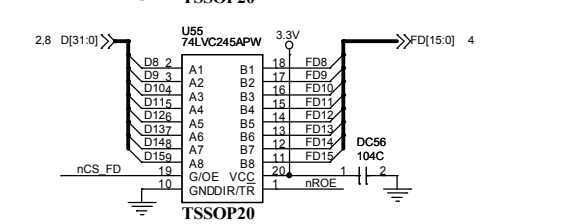
SOT753



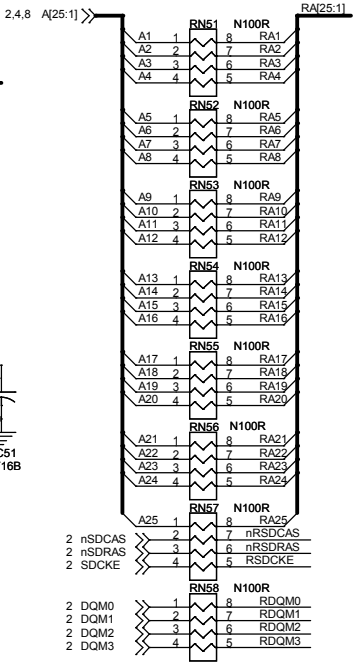
R54: DNI



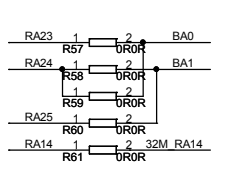
TSSOP20



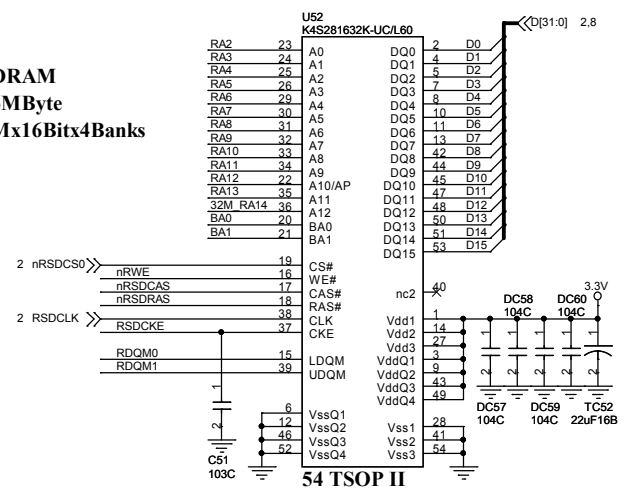
TSSOP20



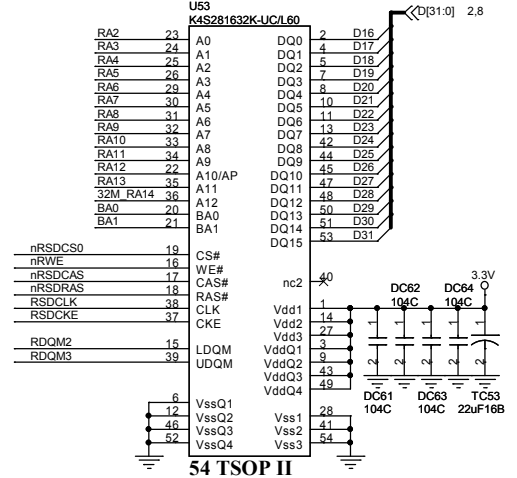
**16M->R59, R60, R61: DNI
32M->R57, R58: DNI**



**SDRAM
16MByte
2Mx16Bitx4Banks**

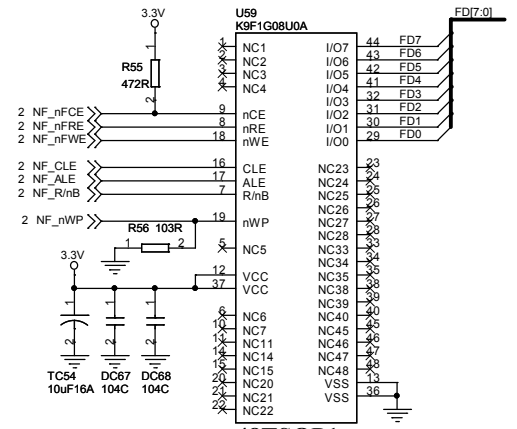


54 TSOP II



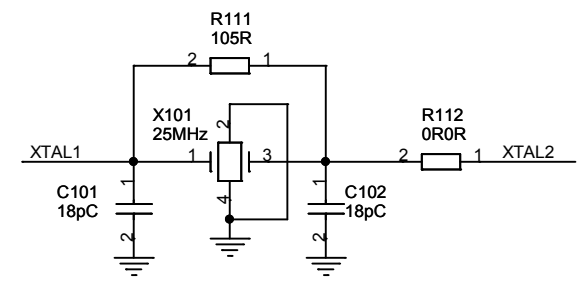
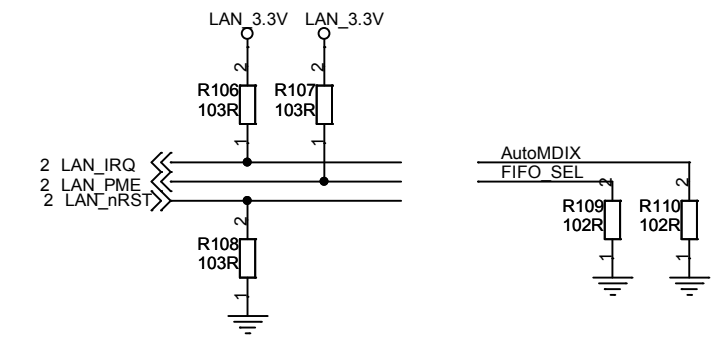
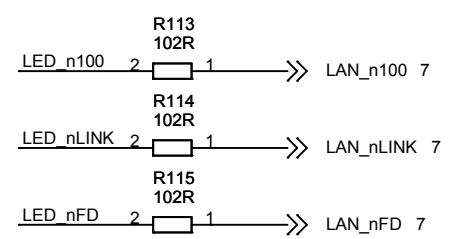
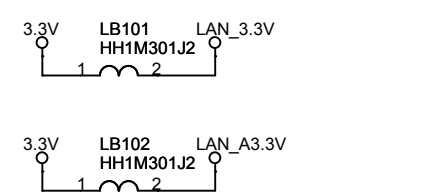
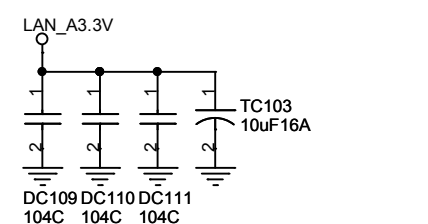
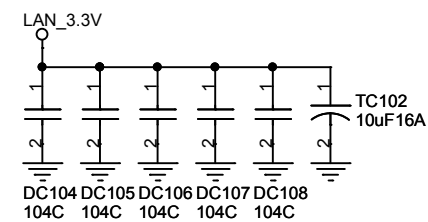
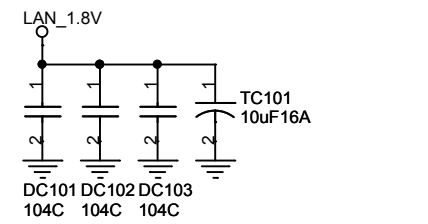
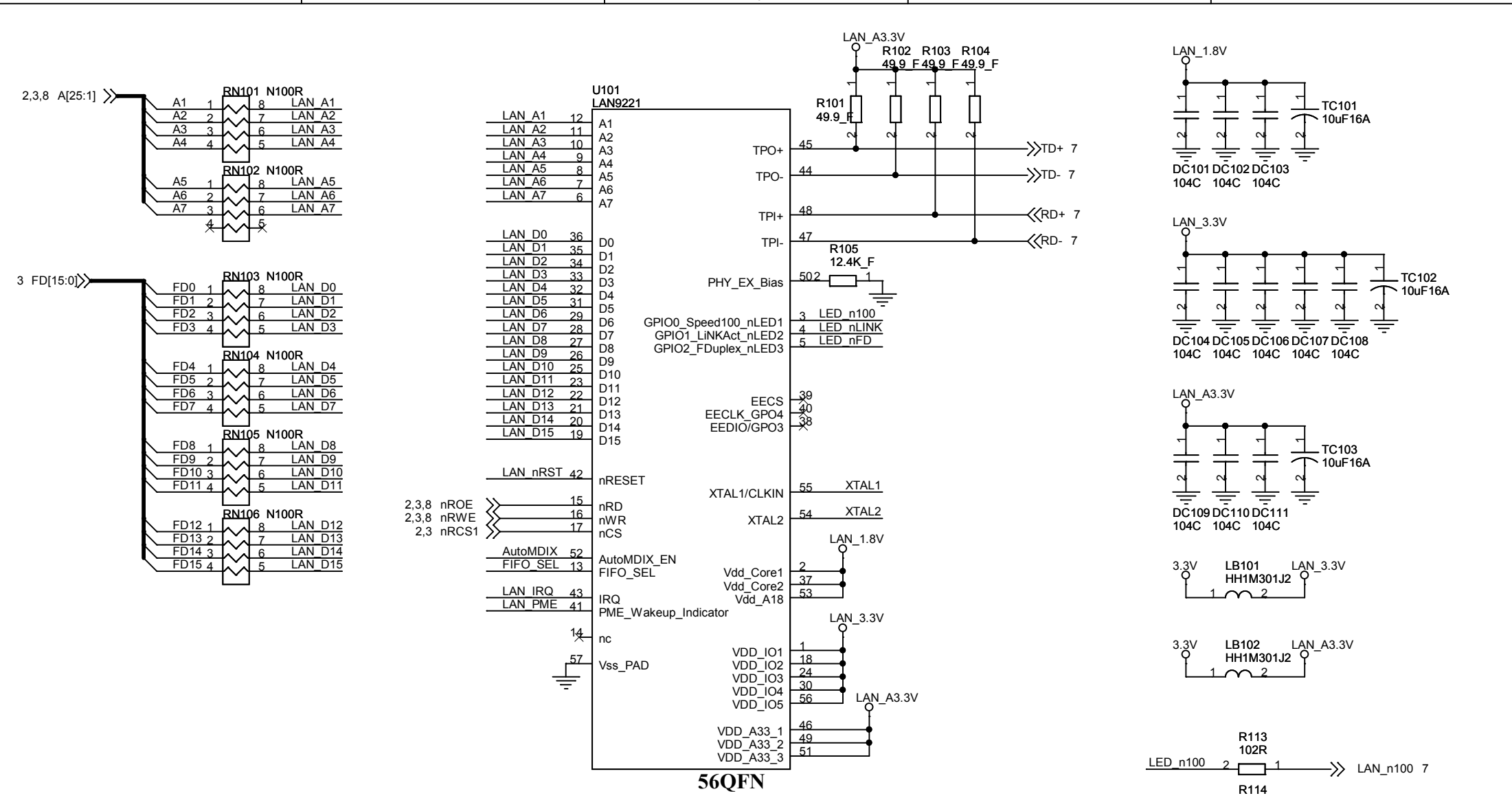
54 TSOP II

U59:DNI

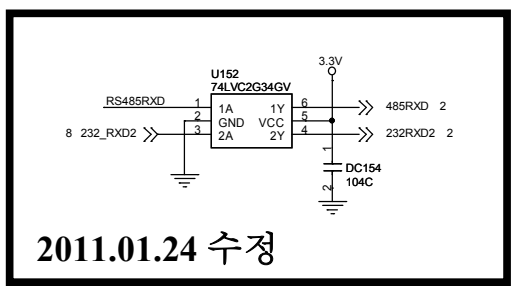
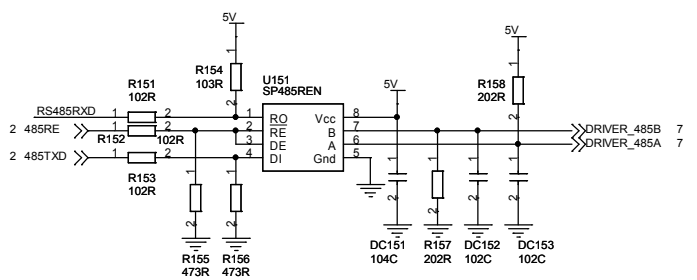


48TSOP1

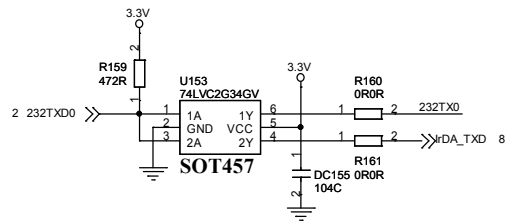
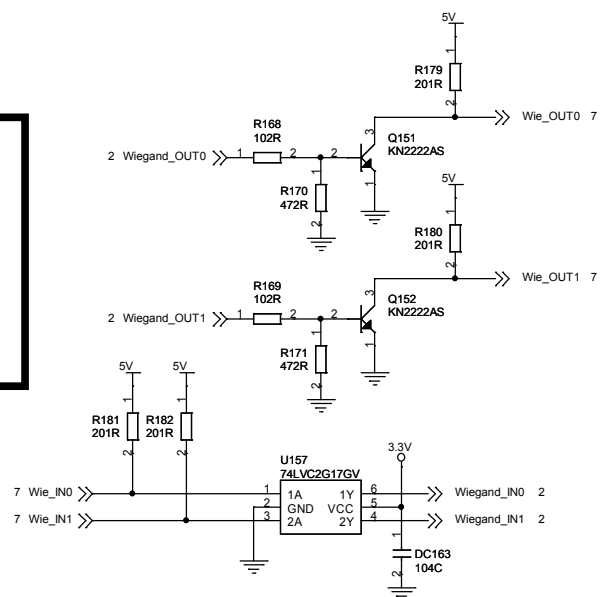
Title		AC5000 Flash & SDRAM
Size	Document Number	PAC5000MA01
A3		Rev 12
Date:	Tuesday, March 29, 2011	Sheet 3 of 16



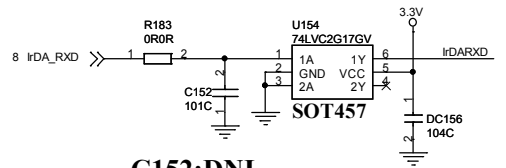
Title		
AC5000 Ethernet		
Size	Document Number	Rev
A4	PAC5000MA01	12
Date:	Tuesday, March 29, 2011	Sheet 4 of 16



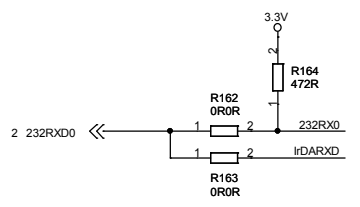
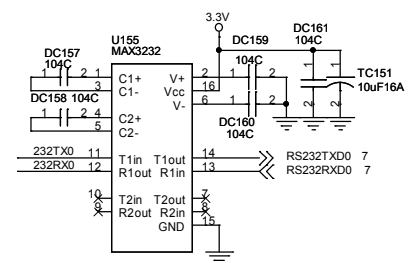
2011.01.24 수정



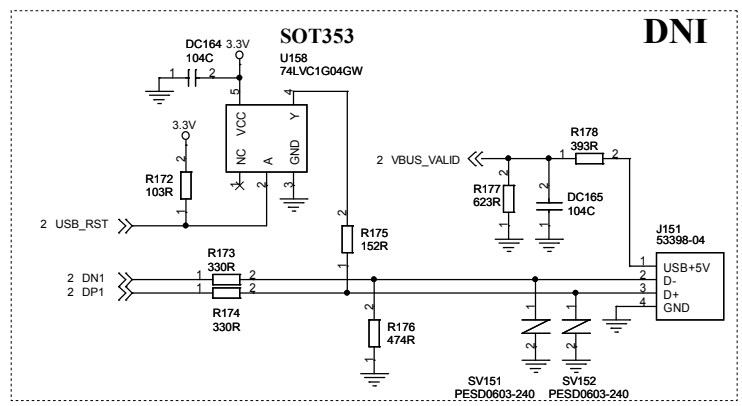
SOT457



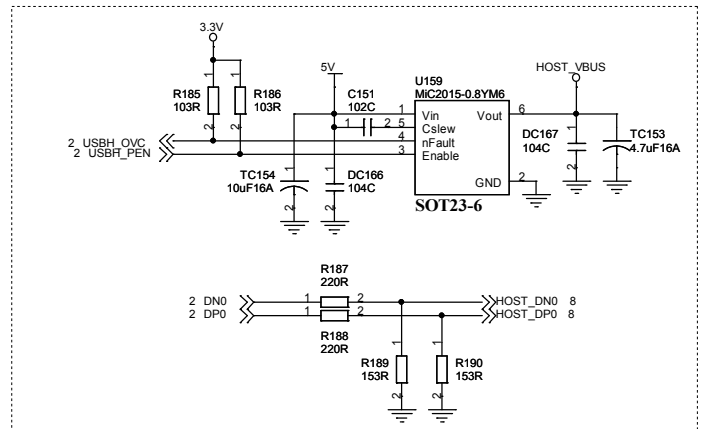
C152:DNI



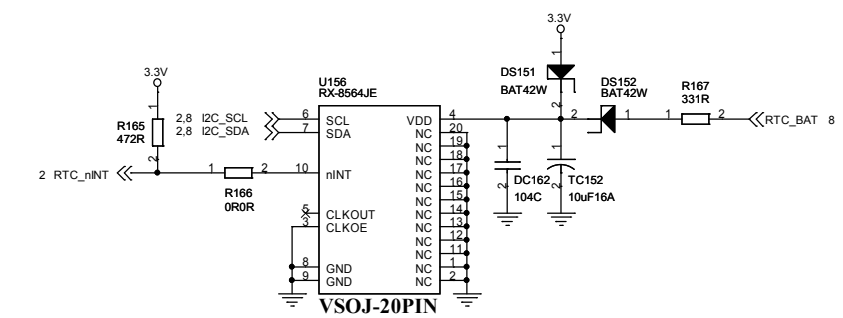
R163:DNI



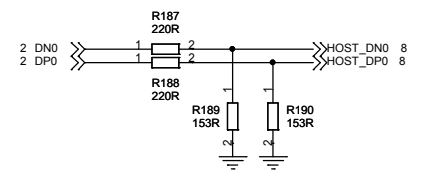
DNI



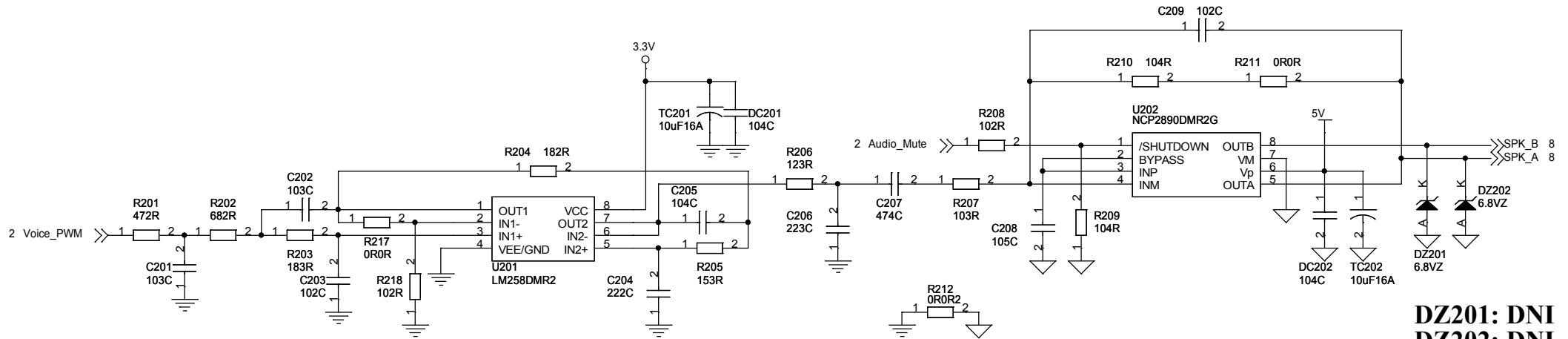
DNI



VSOJ-20PIN

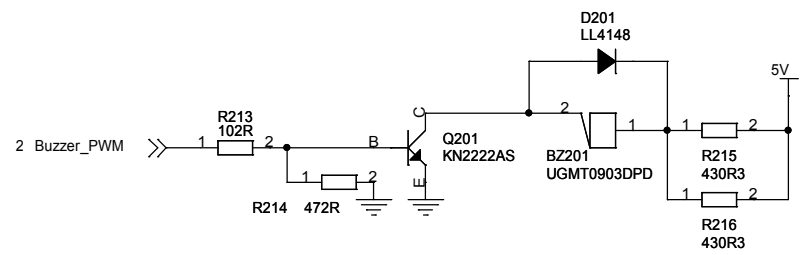


Title			
AC5000 485/232/Wiegand/RTC/USB			
Size	Document Number	Rev	
A3	PAC5000MA01	12	
Date:	Tuesday, March 29, 2011	Sheet	5 of 16

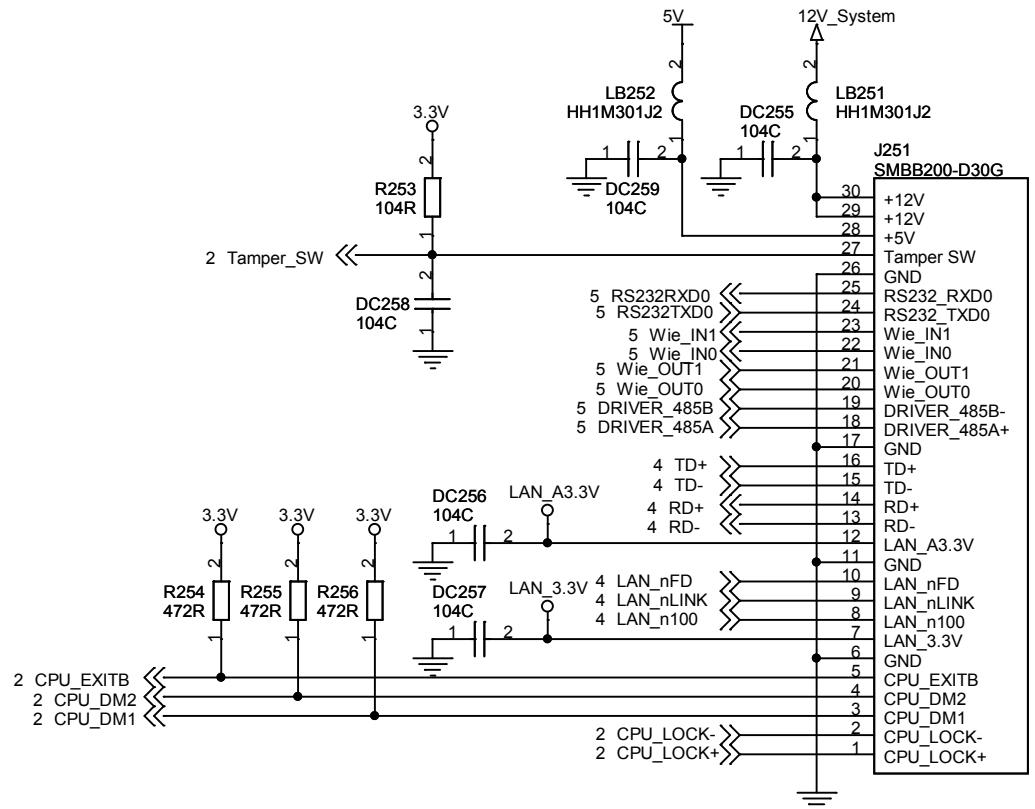
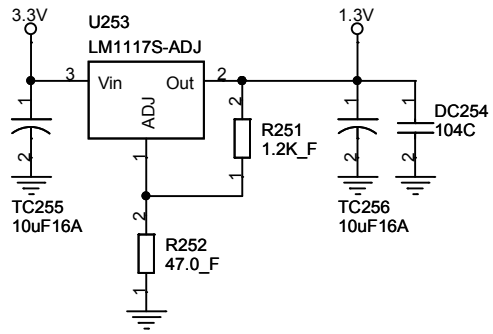
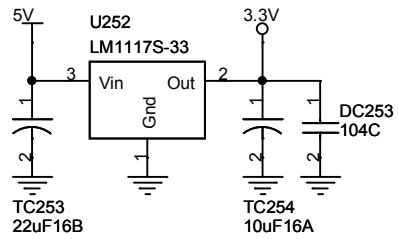
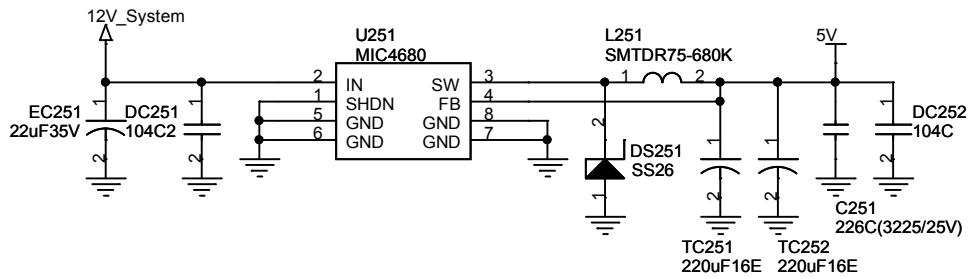


R218: DNI

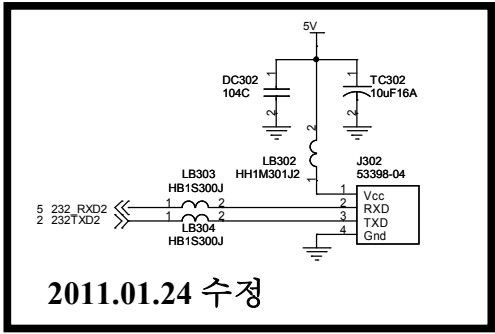
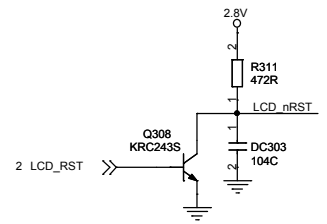
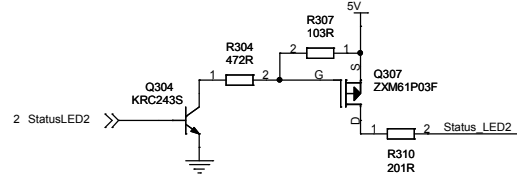
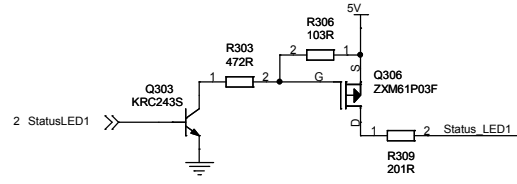
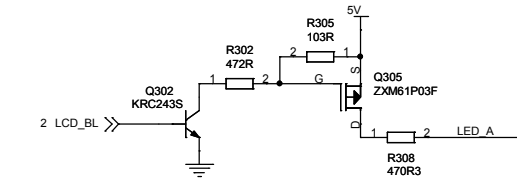
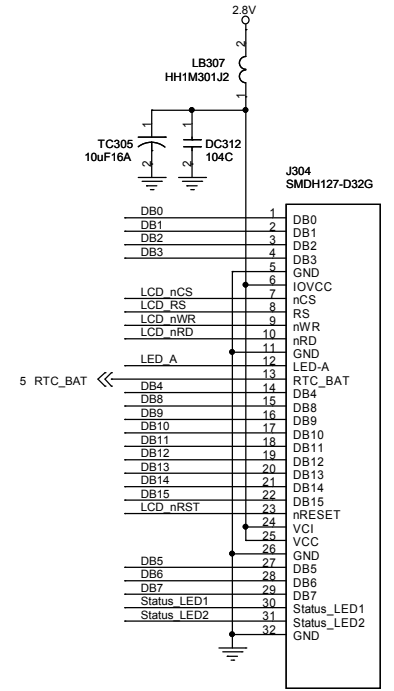
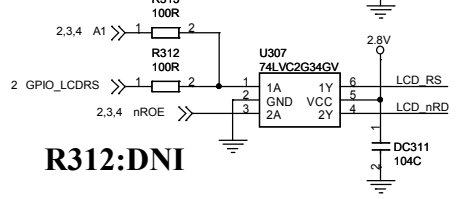
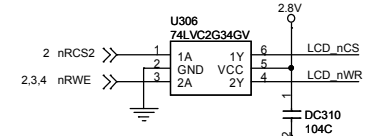
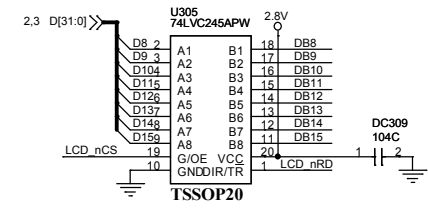
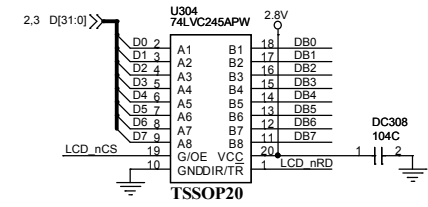
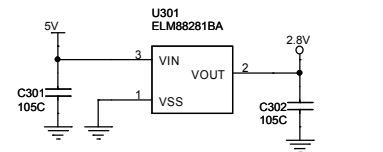
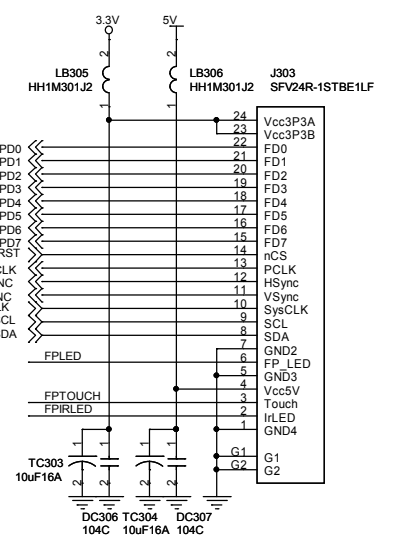
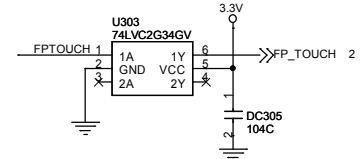
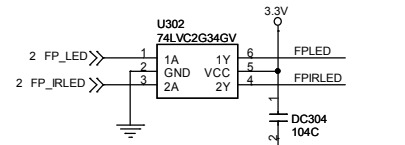
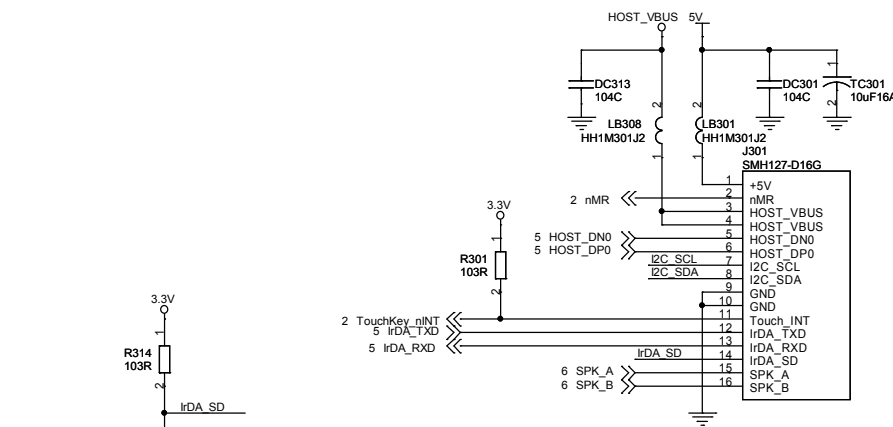
DZ201: DNI
DZ202: DNI



Title		
AC5000 Voice/Buzzer		
Size	Document Number	Rev
Custom	PAC5000MA01	12
Date:	Tuesday, March 29, 2011	Sheet 6 of 16



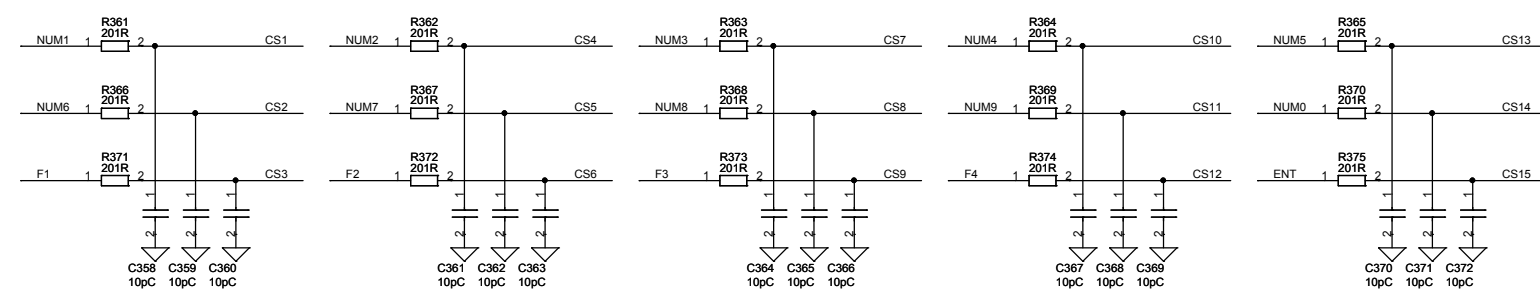
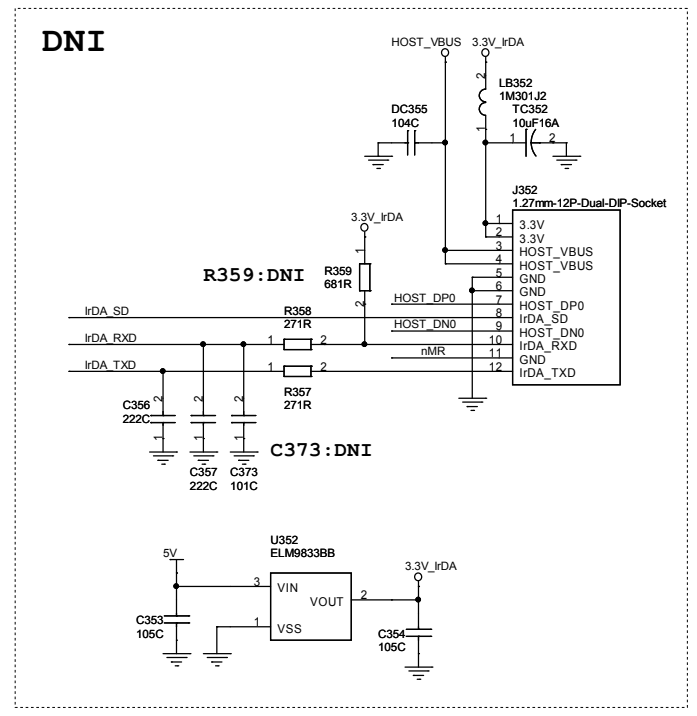
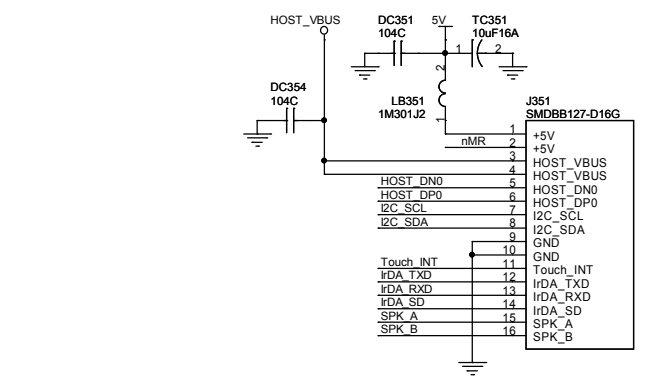
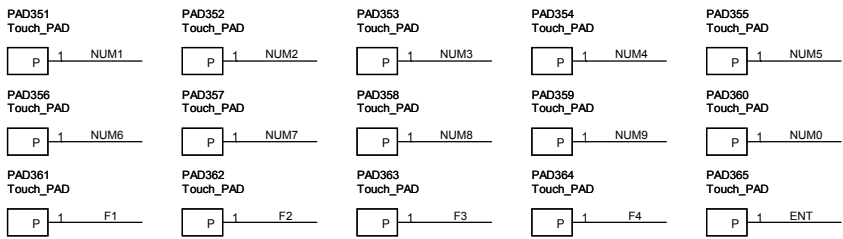
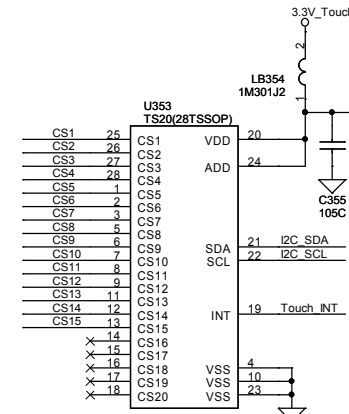
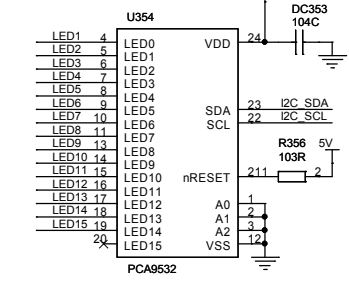
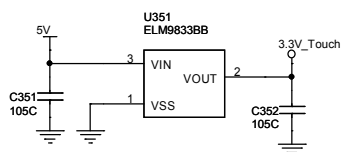
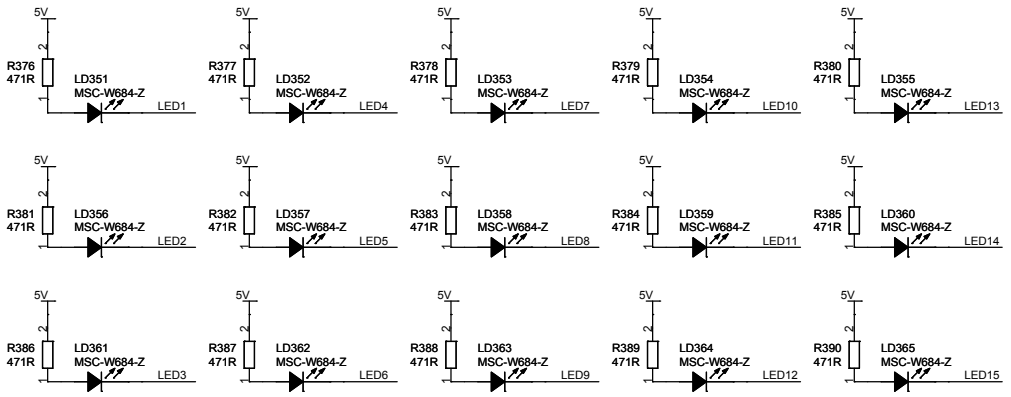
Title			AC5000 Power		
Size	Document Number	PAC5000MA01			Rev
A4					12
Date:	Tuesday, March 29, 2011	Sheet	7	of	16



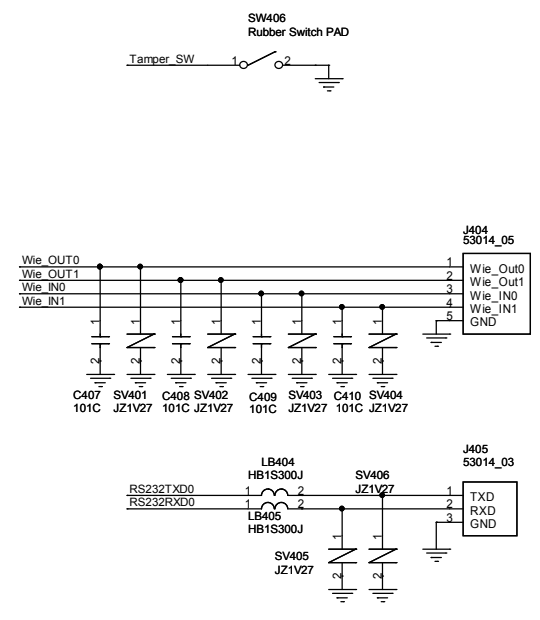
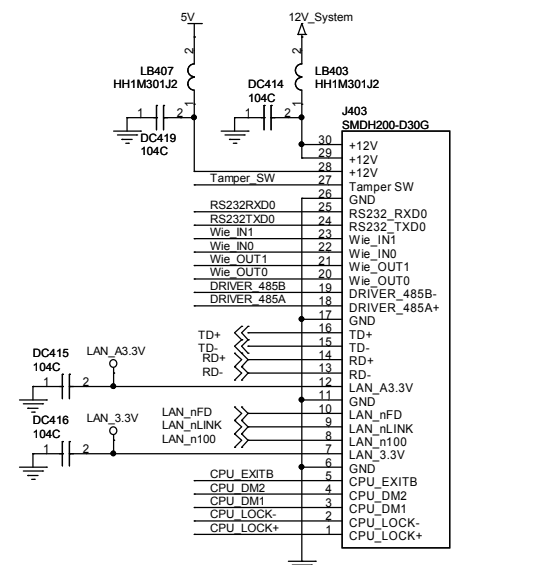
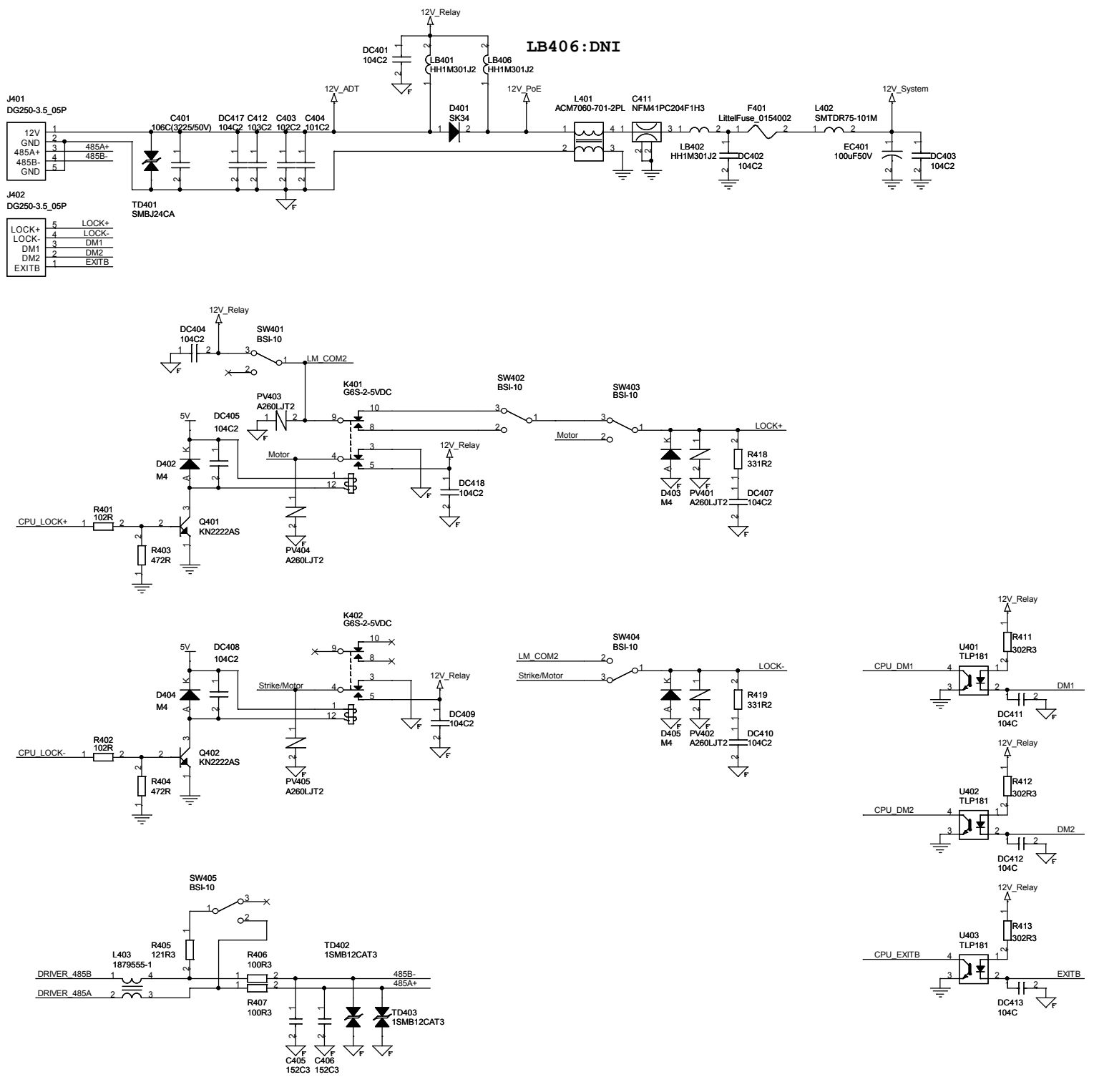
2011.01.24 수정

R312:DNI

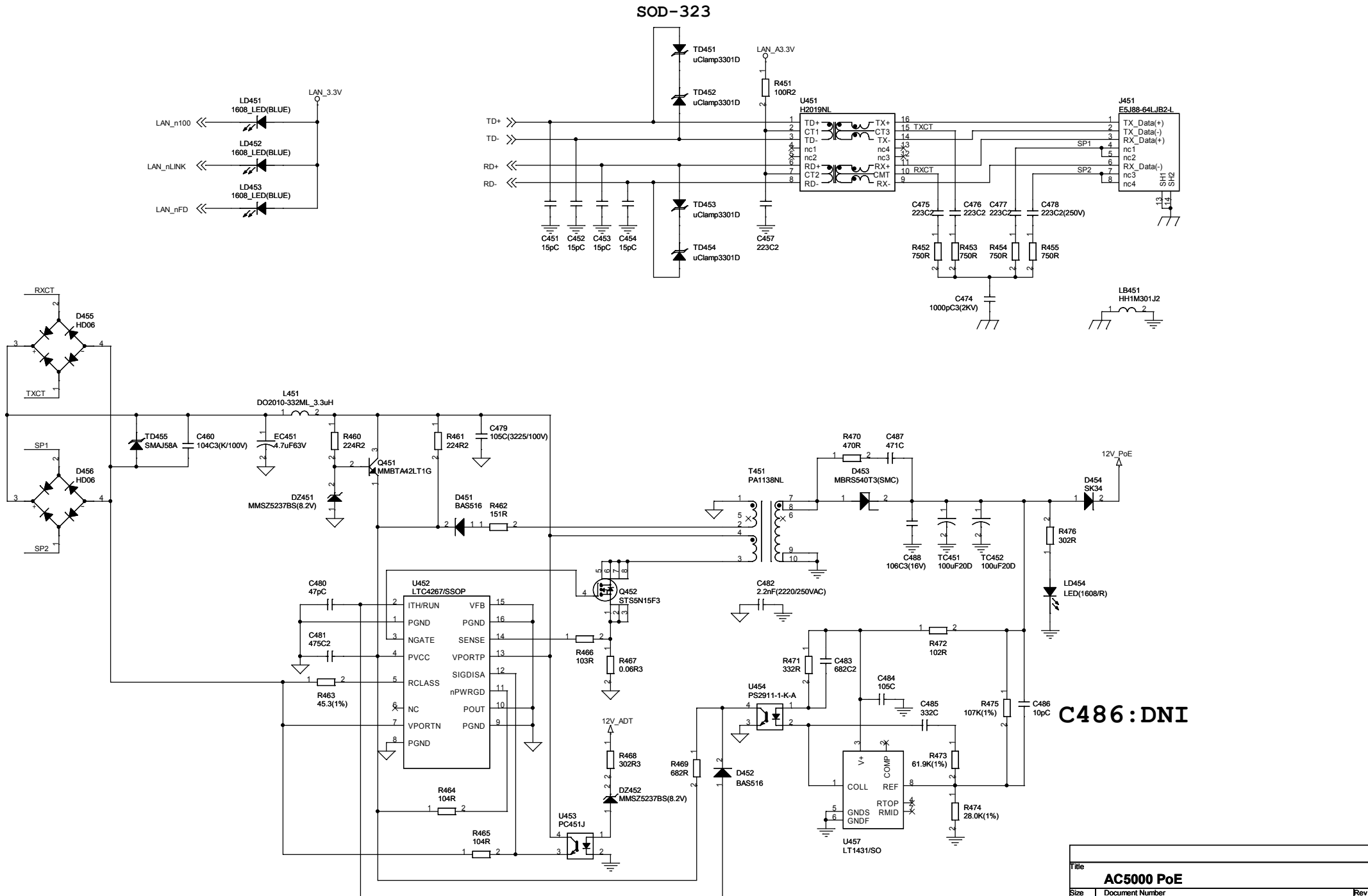
Title			AC7000 LCD/KEY/FP
Size	Document Number	PAC7000MA01	
A3		Rev	12
Date:	Tuesday, March 29, 2011	Sheet	8 of 16



C358~C372 : DNI



Title			
AC5000 Power			
Size	Document Number	PAC5000PW01	
A3			Rev 12
Date:	Tuesday, March 29, 2011	Sheet	10 of 16



C486: DNI

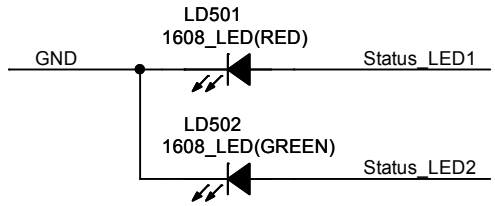
Title		
AC5000 PoE		
Size	Document Number	Rev
A3	PAC5000PW01	12
Date:	Tuesday, March 29, 2011	Sheet 11 of 16

DB0	1	DB0
DB1	2	DB1
DB2	3	DB2
DB3	4	DB3
GND	5	GND
IOVCC	6	IOVCC
nCS	7	nCS
RS	8	RS
nWR	9	nWR
nRD	10	nRD
NC	11	
NC	12	
NC	13	
NC	14	
NC	15	
LED-A	16	LED-A
LED-K1	17	GND
LED-K2	18	GND
LED-K3	19	GND
LED-K4	20	GND
NC	21	
DB4	22	DB4
DB8	23	DB8
DB9	24	DB9
DB10	25	DB10
DB11	26	DB11
DB12	27	DB12
DB13	28	DB13
DB14	29	DB14
DB15	30	DB15
nRESET	31	nRESET
VCI	32	VCI
VCC	33	VCC
GND	34	GND
DB5	35	DB5
DB6	36	DB6
DB7	37	DB7
G2	39	GND
G1	38	GND

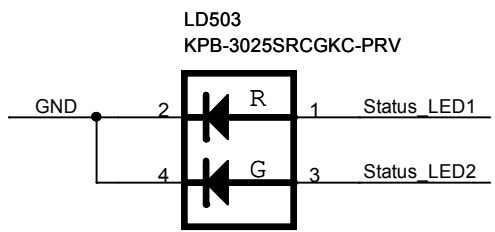
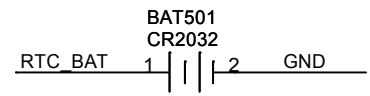
J501
SMD_PAD37

DB0	1	DB0
DB1	2	DB1
DB2	3	DB2
DB3	4	DB3
GND	5	GND
IOVCC	6	IOVCC
nCS	7	nCS
RS	8	RS
nWR	9	nWR
nRD	10	nRD
GND	11	GND
LED-A	12	LED-A
RTC BAT	13	RTC_BAT
DB4	14	DB4
DB8	15	DB8
DB9	16	DB9
DB10	17	DB10
DB11	18	DB11
DB12	19	DB12
DB13	20	DB13
DB14	21	DB14
DB15	22	DB15
nRESET	23	nRESET
VCI	24	nRESET
VCC	25	VCC
GND	26	VCC
DB5	27	GND
DB6	28	DB5
DB7	29	DB6
Status_LED1	30	DB7
Status_LED2	31	Status_LED1
GND	32	Status_LED2
		GND

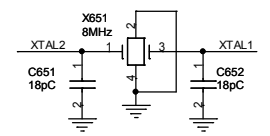
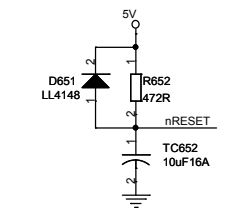
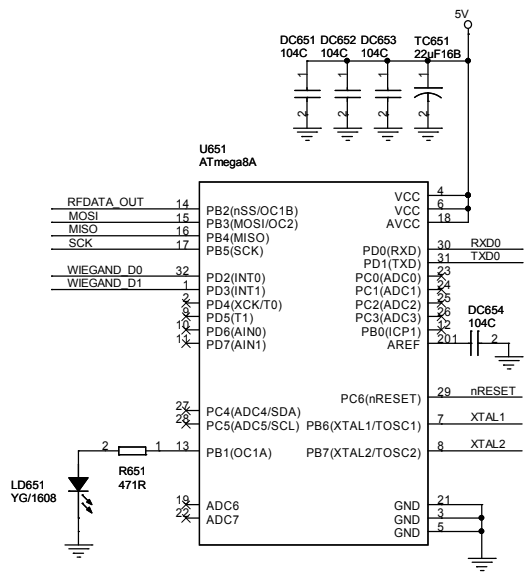
J502
SMDBB127-D32G



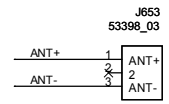
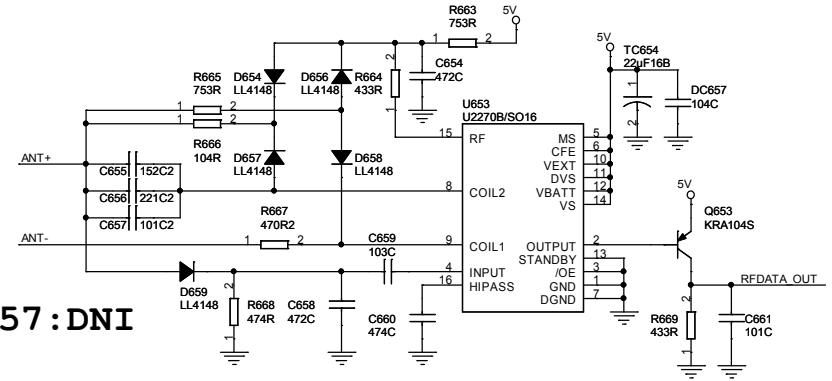
LD501 : DNI
LD502 : DNI



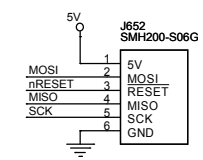
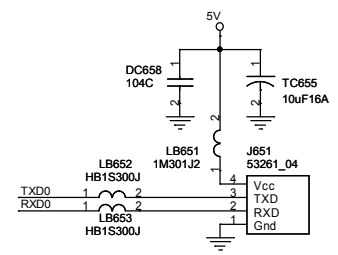
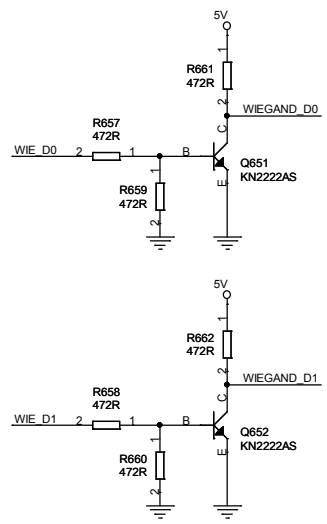
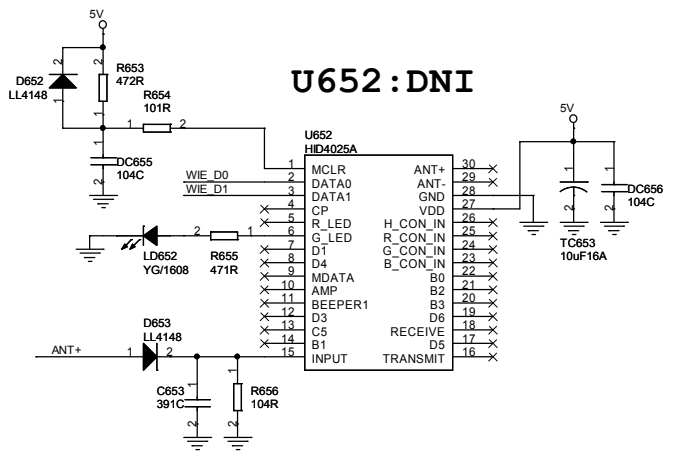
Title		
AC5000 LCD Interface		
Size A	Document Number	Rev 12
PAC5000LI01		
Date:	Tuesday, March 29, 2011	Sheet 12 of 16



C657:DNI



U652:DNI



제품명: 광학식 White 지문센서 [8bit Interface]

모델명: VFCS023-C0 V1.0W [Window 확장형]

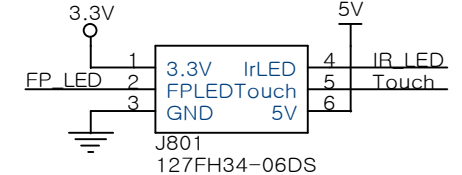
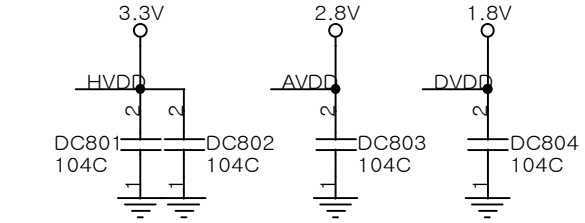
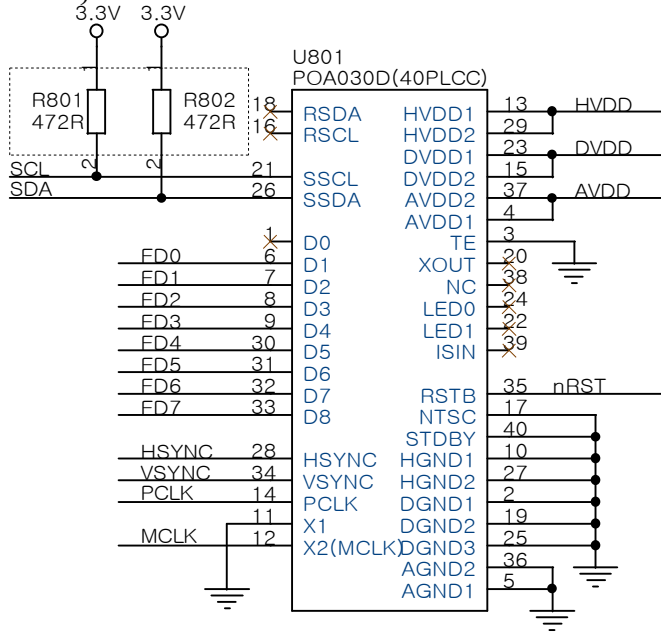
Sensor Board : PFCS02NMA01 V2.0 1. Contents
2. Image Sensor
Back cover Board : PFFOS02NTS03 V3.3 3. Auto Sensor(TS01S), LED

	작성	검토	승인
결재			
	/	/	10.05.19

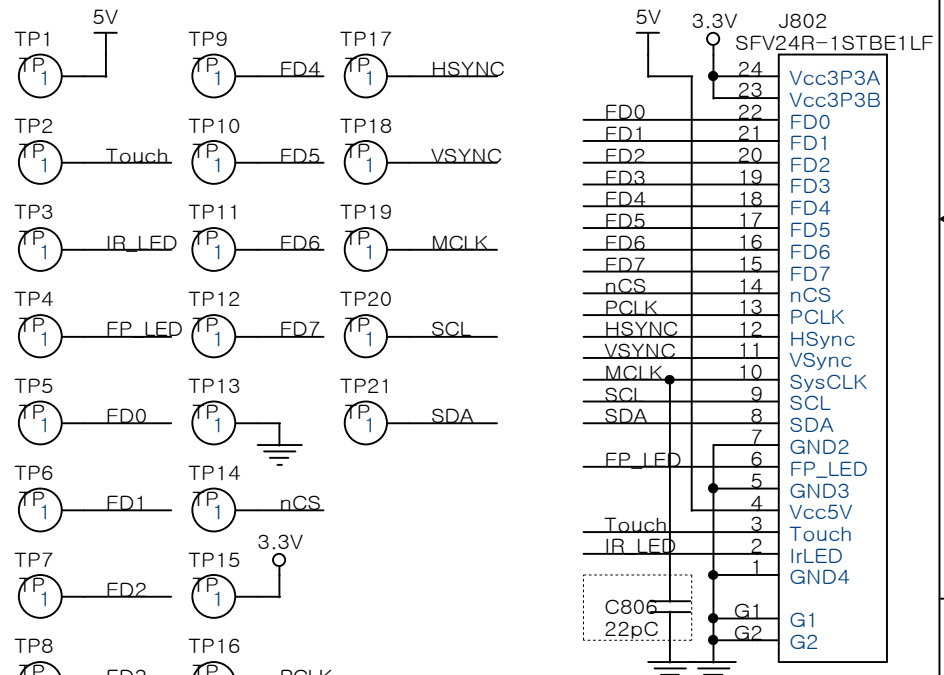
Title VFCS023-C0 V1.0W Cover		
Size A	Document Number VFCS023-C0 V1.0W Series	Rev 10
Date: Wednesday, May 19, 2010	Sheet 1 of 3	

본 자료는 (주)유니온커뮤니티의 기술지식으로서 여기없이 복사 및 활용을 금합니다. (대외비)

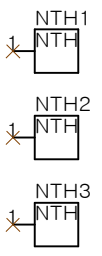
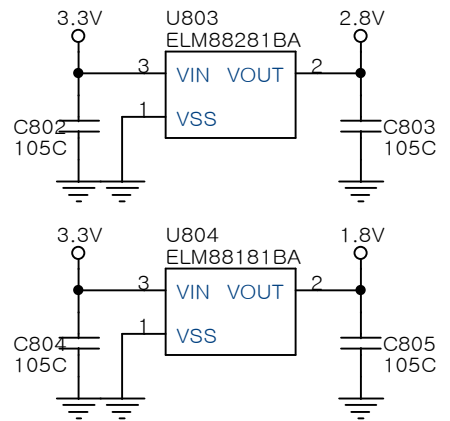
R801,R802:DNI



24pin 0.5mm FPC Bottom Contact

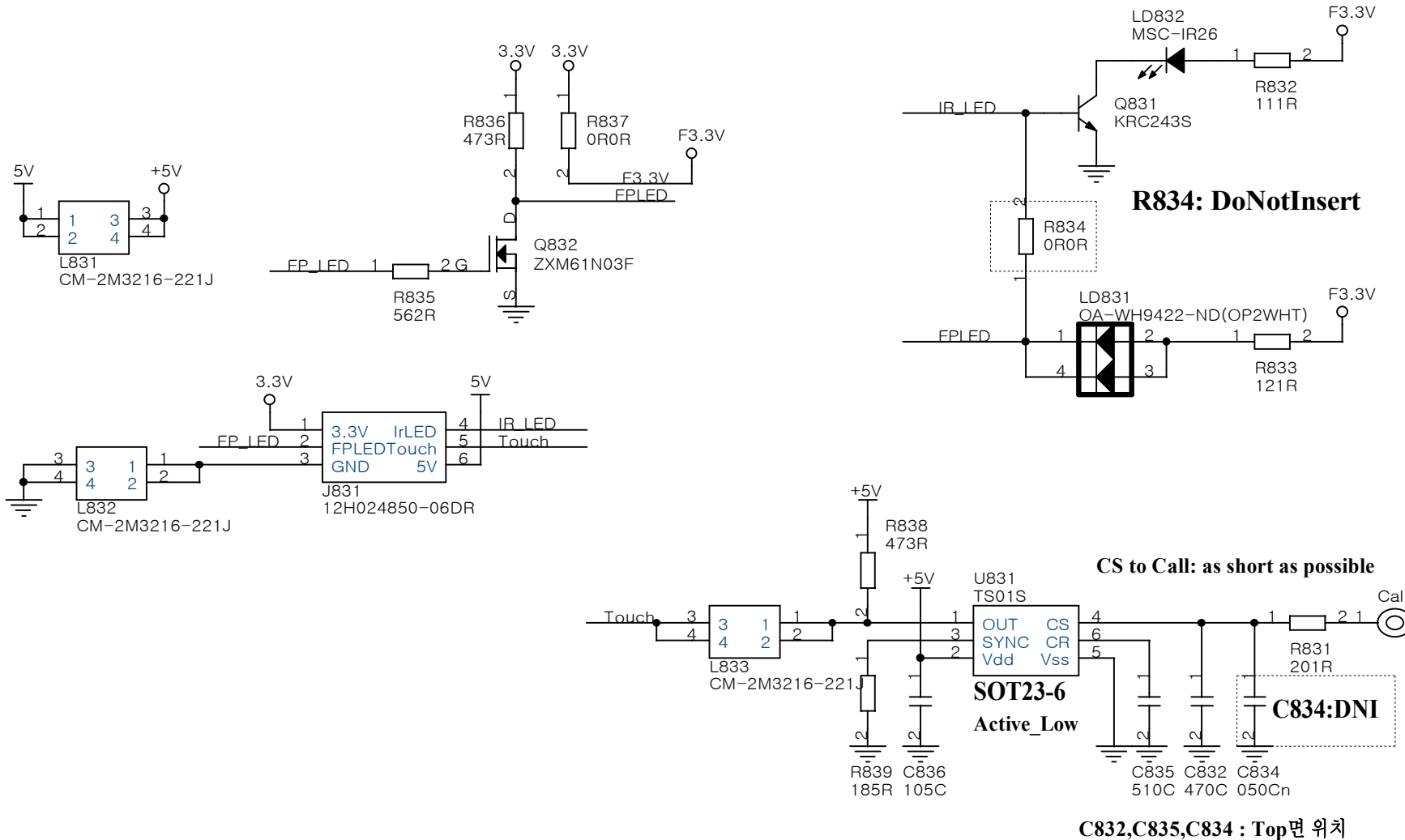


C806:DNI



Title VFCS023-C0 V10W Sensor Main Bd		
Size A	Document Number PFCS02NMA01 V2.0	Rev 10
Date: Wednesday, May 19, 2010	Sheet 2 of 3	

본 자료는 (주)유톨커뮤니티의 기술자산으로서 여기없이 복사 및 활용을 금합니다. (대회비)



C832,C835,C834 : Top면 위치

Title VFCS023-C0 V10W Sensor Rear Bd		
Size A	Document Number PFFOS02TS03 V3.3	Rev 10
Date: Wednesday, May 19, 2010	Sheet 3 of 3	