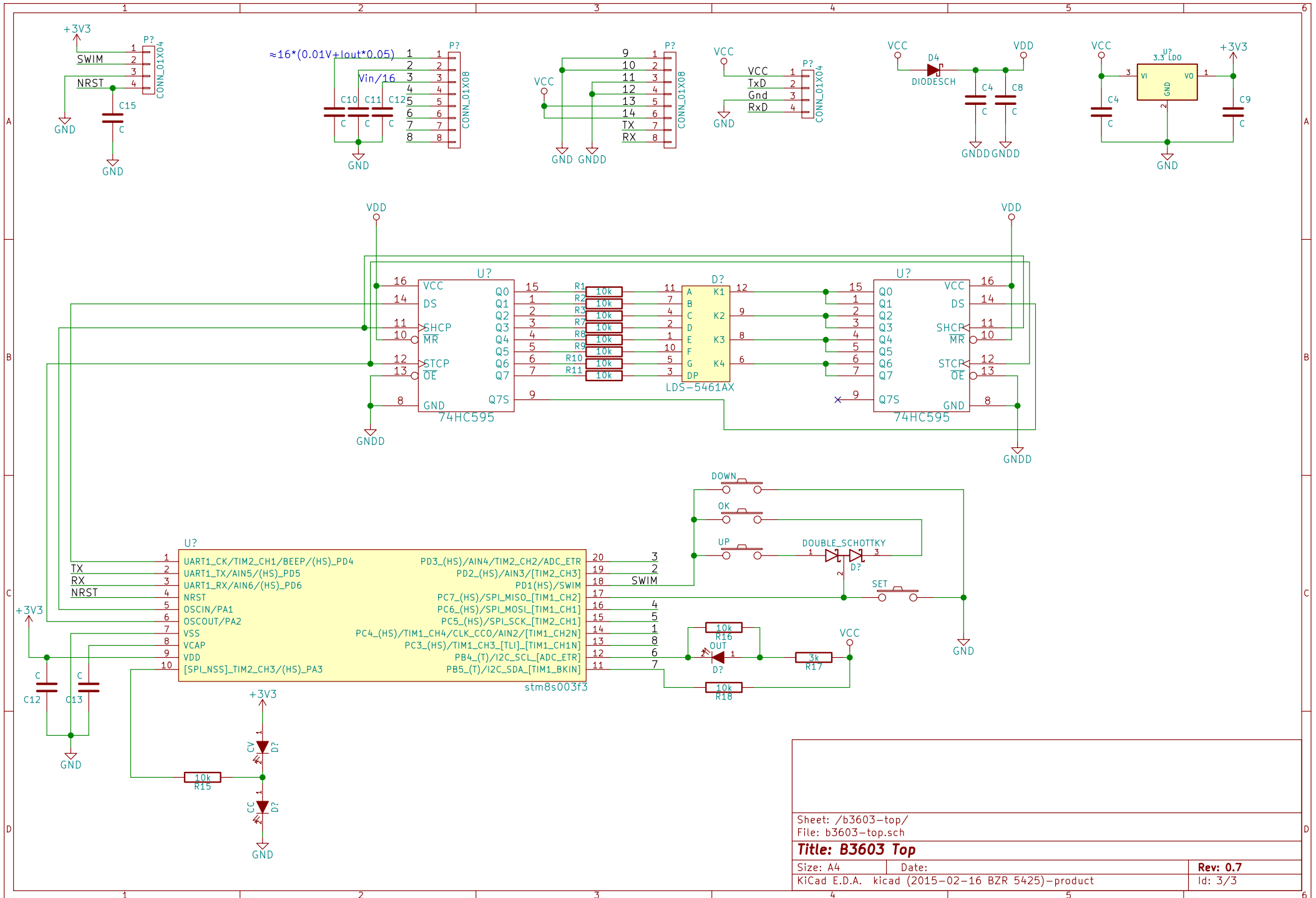


Sheet: /b3603-bottom/		File: b3603-bottom.sch	
Title: B3603 Bottom			
Size: A4	Date:		Rev: 0.7
KiCad E.D.A. kicad (2015-02-16 BZR 5425)-product			Id: 2/3



Sheet: /b3603-top/
 File: b3603-top.sch

Title: B3603 Top

Size: A4 Date:
 KiCad E.D.A. kicad (2015-02-16 BZR 5425)-product

Rev: 0.7
 Id: 3/3